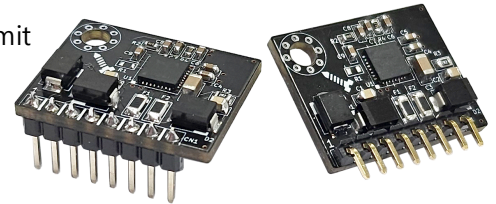


Description

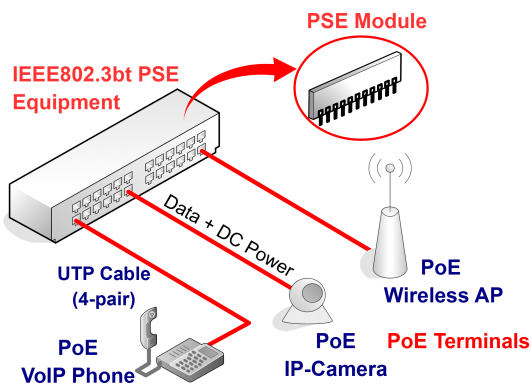
Up to 90W 1-Port PSE(Power Sourcing Equipment) Module For IEEE802.3bt Compliant PoE(Power over Ethernet) Application.

Features

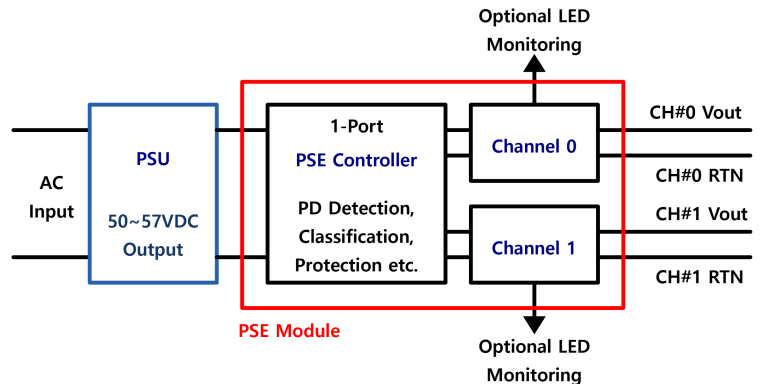
- Fully Supports IEEE802.3bt Compliant (Default : Type4)
- **Configure : 1-port for 4-pair or 2-port for 2-pair**
- Input Voltage Range : 52V to 57V (@ Type4)
- Maximum Output Power : 96W
- Short Circuit, Over-temperature Protection and In-rush Current Limit
- Auto-class discovery
- Single DC Power Supply Voltage Input
- Easy Installation and Low Cost
- RoHS Compliant



Application Diagram

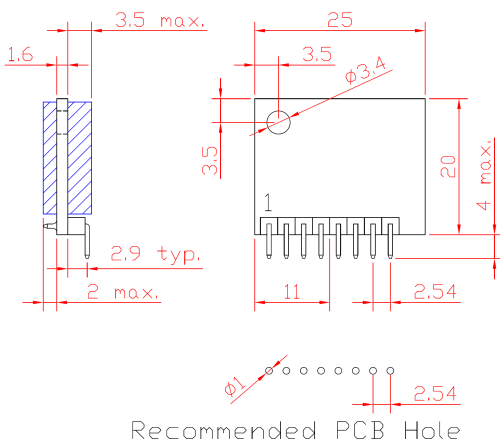


Typical Connection



Outline Drawing (Vertical Type)

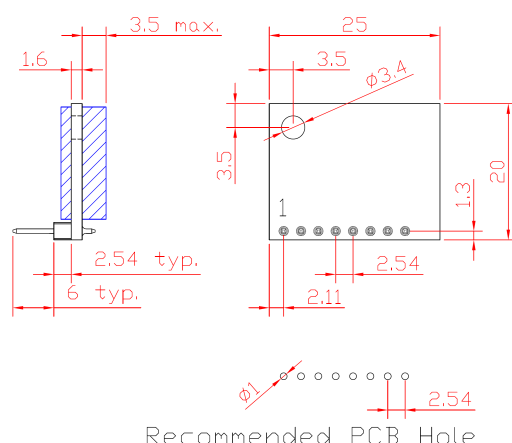
PN : MBPSE-MOD-01V



<Notice>
- Dimensions are nominal (±0.25mm) & in mm

Outline Drawing (Horizontal Type)

PN : MBPSE-MOD-01H

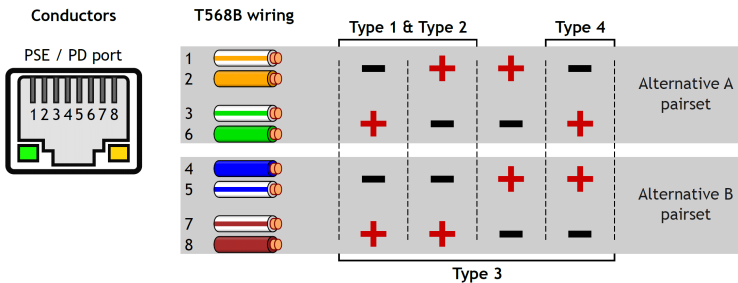


<Notice>
- Dimensions are nominal (±0.25mm) & in mm
- Fix-Hole (3.4-pi) : User can connect to AGND(PSU) with stand-off in case of using the horizontal type.

Pin Assignment

Pin #	Name	Description
1	AGND	Input (-) : This input pin connects to the negative(-) output of the PSU.
2	VIN+	Input (+) : This input pin connects to the positive(+) output of the PSU.
3	LED_0	LED : This pin is indicated CH#0 operation.
4	LED_1	LED : This pin is indicated CH#1 operation.
5	Vout_0	CH#0 Output : This pin provides the positive PSE output of CH#0 and connects to the center tap of 3&6(RJ45) @Type4.
6	RTN_0	CH#0 Return : This pin provides the PSE ground return of CH#0 and connects to the center tap of 1&2(RJ45) @Type4.
7	RTN_1	CH#1 Return : This pin provides the PSE ground return of CH#1 and connects to the center tap of 7&8(RJ45) @Type4.
8	Vout_1	CH#1 Output : This pin provides the positive PSE output of CH#1 and connects to the center tap of 4&5(RJ45) @Type4.

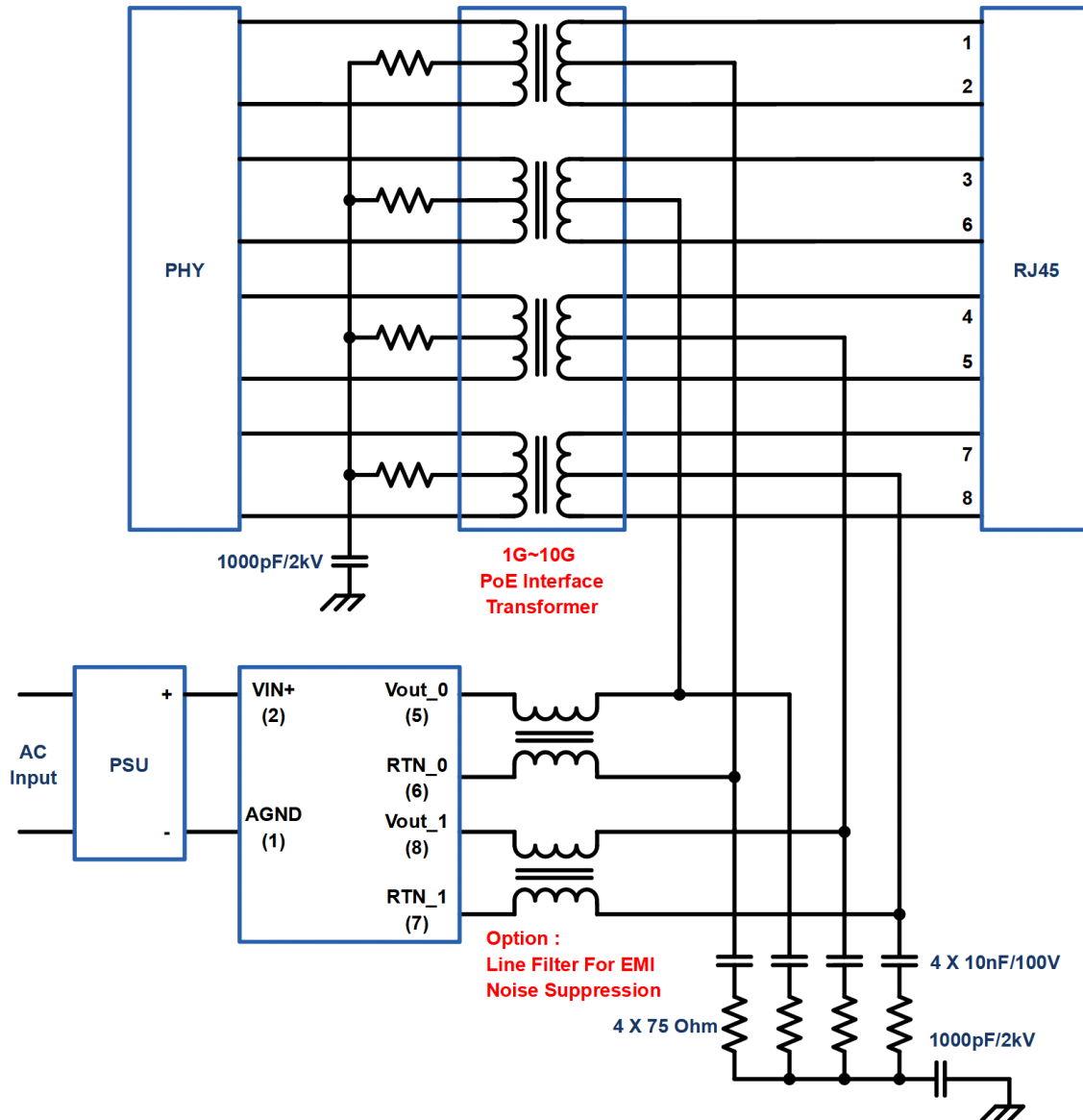
PSE Pinout Configuration and Permissible Power Supply Polarity



Specifications

No	Item		Specification
1	Number of Port		1-port (4-pair)
2	Input Voltage	IEEE802.3bt Type3 (~60W)	50~57 VDC
		IEEE802.3bt Type4 (~90W)	52~57 VDC
3	Current Limit	Class 0 (Type1~3)	370 mA typ.
		Class 1 (Type1~3)	102 mA typ.
		Class 2 (Type1~3)	188 mA typ.
		Class 3 (Type1~3)	370 mA typ.
		Class 4 (Type2~3)	776 mA typ.
		Class 5 (Type3)	956 mA typ.
		Class 6 (Type3)	1,276 mA typ.
		Class 7 (Type4)	1,508 mA typ.
Class 8 (Type4)	1,854 mA typ.		
4	Signature Resistor		17~29 kohm
5	Classification Probe Voltage		15.5~20.5 V
6	Dimension		25(W)×20(H)×7.1(D) mm
7	Operating Temperature		-20 ~ 70 °C
8	Storage Temperature		-40 ~ 100 °C

1G~10G IEEE802.3bt 4-pair PoE Application



LED Interface (Using main voltage)

LED Interface (Using external 3.3V)

