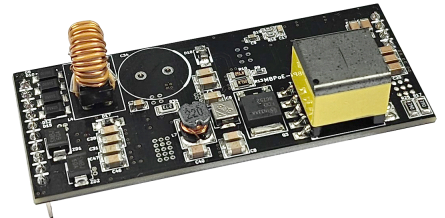


**DESCRIPTION**

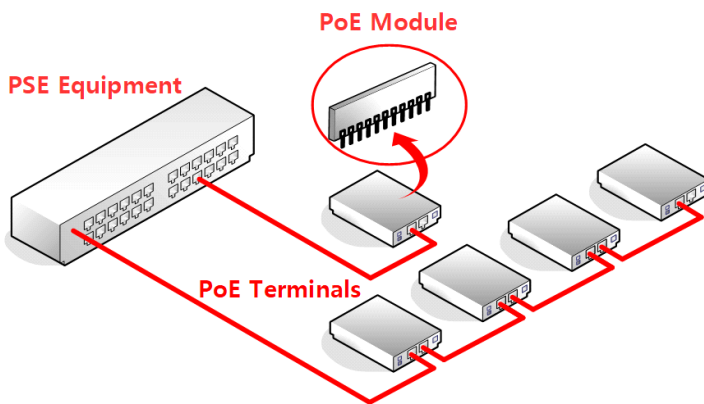
Single Port PD(Powered Device) and PSE(Power Sourcing Equipment) Integrated Module

**FEATURES**

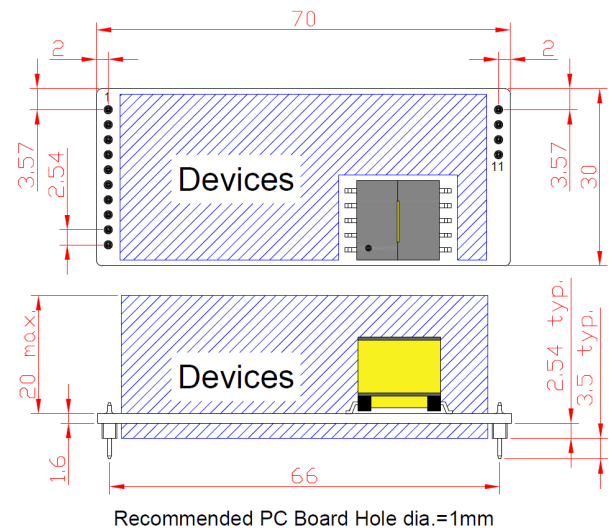
- Fully Supports IEEE802.3bt Compliant (Type-4)
- Input Voltage Range 52V to 57V for Full Power Rate
- Up to 4 Cascade Connection Available
- Short Circuit, Over-temperature Protection and In-rush Current Limit
- Default Class : 8
- High Efficiency PD (85% min. @13W)
- Easy Installation and Low Cost
- Low Output Ripple and Noise PD
- RoHS Compliant



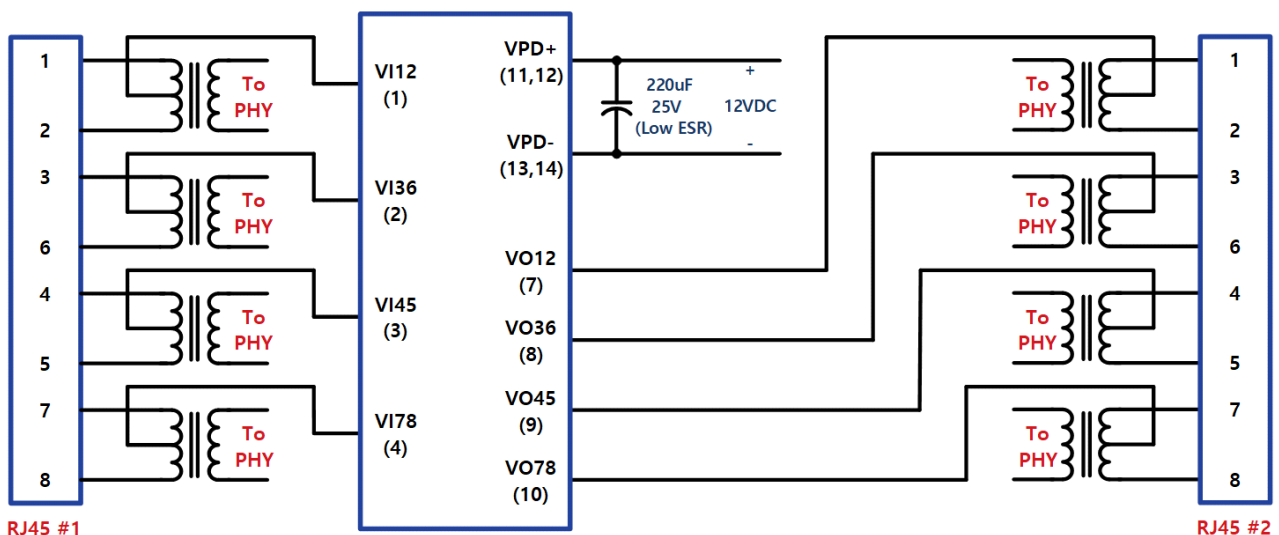
**APPLICATION DIAGRAM**



**OUTLINE DRAWING**



**TYPICAL CONNECTION**



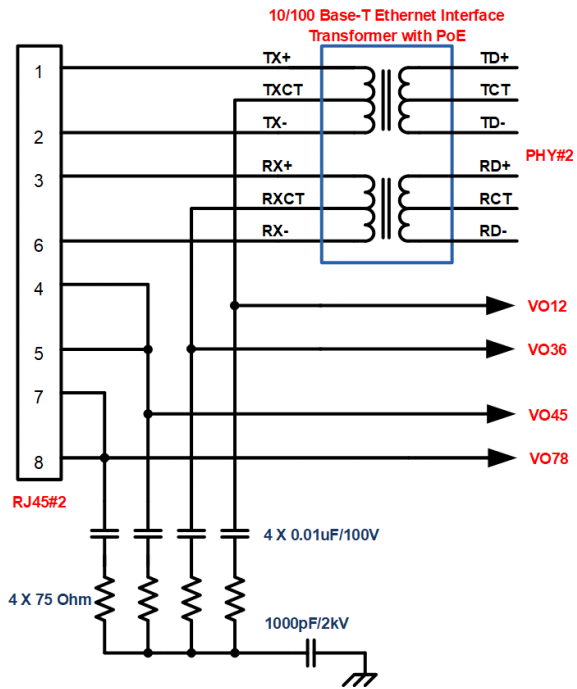
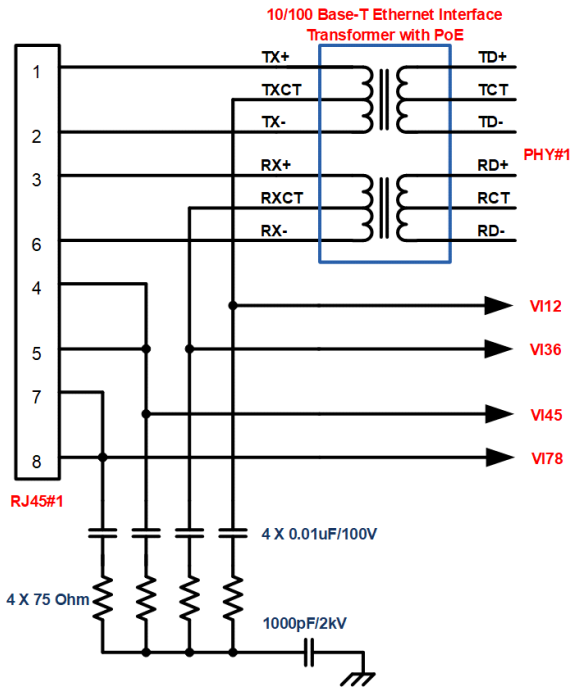
## PIN ASSIGNMENT

Pin #	Name	Description
1	VI12	<b>Input 12</b> : This input pin connects to the Center-Tab (1-2) of PoE Interface Transformer for External PSE Equipment
2	VI36	<b>Input 36</b> : This input pin connects to the Center-Tab (3-6) of PoE Interface Transformer for External PSE Equipment
3	VI45	<b>Input 45</b> : This input pin connects to the Center-Tab (4-5) of PoE Interface Transformer for External PSE Equipment
4	VI78	<b>Input 78</b> : This input pin connects to the Center-Tab (7-8) of PoE Interface Transformer for External PSE Equipment
5	Type-2	<b>Type-2 Det.</b> : This output pin is indicated IEEE802.3bt Type-2 or 3 Operation (Reserve)
6	Type-4	<b>Type-4 Det.</b> : This output pin is indicated IEEE802.3bt Type-4 Operation (Reserve)
7	VO12	<b>Output 12</b> : This input pin connects to the Center-Tab (1-2) of PoE Interface Transformer for a Cascaded Equipment
8	VO36	<b>Output 36</b> : This input pin connects to the Center-Tab (3-6) of PoE Interface Transformer for a Cascaded Equipment
9	VO45	<b>Output 45</b> : This input pin connects to the Center-Tab (4-5) of PoE Interface Transformer for a Cascaded Equipment
10	VO78	<b>Output 78</b> : This input pin connects to the Center-Tab (7-8) of PoE Interface Transformer for a Cascaded Equipment
11,12	VPD+	<b>PD Output</b> : This pin provides the +12VDC output of PD.
13,14	VPD-	<b>PD GND</b> : This pin provides the GND output of PD.

## SPECIFICATIONS

No	Item	Specification
1	Input Voltage	42.5~57 VDC
<b>PD Specification</b>		
2	Output Voltage	12V typ.
3	Rated Output Current	1A
4	Line Regulation (Vin=42.5~57V, 12W)	2%
5	Load Regulation (Vin=54V, 0.1~12W)	2%
6	Ripple & Noise (Vin=54V, Iout=1A)	200mVp-p max.
7	Efficiency (Vin=54V, Iout=1A)	85% min.
8	Input to Output Isolation	1500 Vrms
9	Type of DC/DC Converter	Flyback Type
10	Short Circuit Protection Duration	Inf.
<b>PSE Specification</b>		
11	Number of Port	1-port
12	Output Power	60W max.
13	Protection	OCP, Short Circuit Protection
<b>Environment Specification</b>		
14	Operating Environment	-20 ~ 70 °C / 10 ~ 80 %
15	Storage Environment	-40 ~ 100 °C / 5 ~ 95 %

10/100 Base-T APPLICATION



10/100/1000 Base-T APPLICATION

