

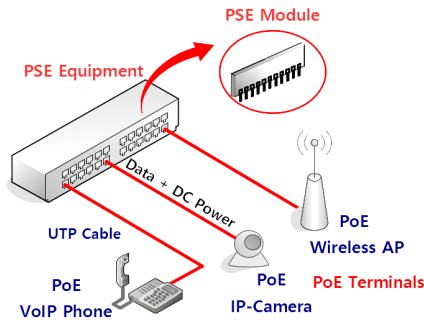
DESCRIPTION

Up to 30W 1-Port PSE(Power Sourcing Equipment) Module For IEEE802.3af/at Compliant PoE(Power over Ethernet) Application.

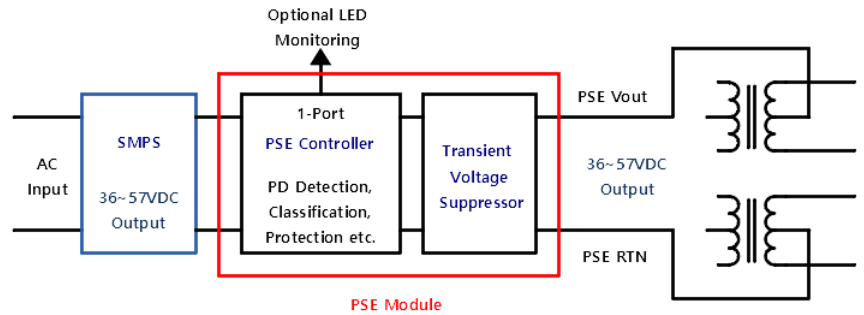
FEATURES

- IEEE802.3af/at Fully Compliant
- PD(Powered Device) Detection, Classification
- DC Disconnection (Type 1&2)
- In-rush Current Limit, Over-current and Short-circuit Protection
- Auto-restart Fault Management
- Easy Installation
- ROHS Compliant
- Optional Monitoring with LED

APPLICATION



BLOCK DIAGRAM



OUTLINE DRAWING

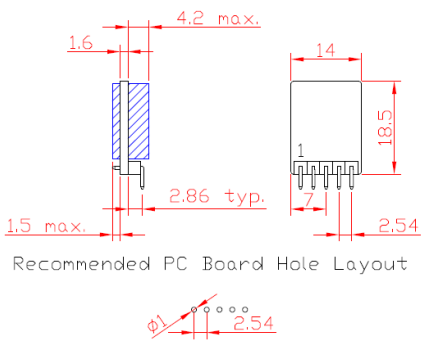
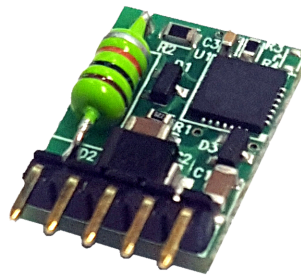


PHOTO IMAGE



PIN ASSIGNMENTS

Pin#	Name	Description
1	LED	Status LED
2	VIN+	Positive Main Input
3	VOUT+	PSE Output Positive
4	VOUT-	PSE Output Return
5	VIN-	Negative Main Input

PORT STATUS AND LED FLASH CODE

No	Port Status	LED Flash Code	Flash Pattern
1	Non-PD (Powered Device)	Off	LED Off (○)
2	Port Open	Off	LED Off (○)
3	Port On	On	LED On (●)
4	Low or High Signature Resistance	●○○○●○○○●○○○●○○○● ~ (1.4s)~ ●○○○●○○○●○○○●○○○●	
5	Port Overload Fault	○○○●○○○● ○○○●○○○●	

SPECIFICATIONS

No	Item	Specification	
1	Number of Port	1-port	
2	Input Voltage	IEEE802.3af (15.4W)	36~57 VDC
		IEEE802.3at Type1 (15.4W)	44~57 VDC
		IEEE802.3at Type2 (30W)	50~57 VDC
3	Current Limit	Class 0~3	370 mA typ.
		Class 4	634 mA typ.
4	Signature Resistor	19~26.5 kohm	
5	Classification Probe Voltage	15.5~20 V	
6	Classification Current	Class 0	0~5 mA
		Class 1	8~13 mA
		Class 2	16~21 mA
		Class 3	25~31 mA
		Class 4	35~45 mA
7	Dimension	14(W)×18.5(H)×7.3(D) mm	
8	Operating Temperature	-40 ~ 85 °C	
9	Storage Temperature	-40 ~ 100 °C	

TYPICAL CONNECTION (10/100/1000 Base-T, Endpoint, Alternate B)

