

**DESCRIPTION**

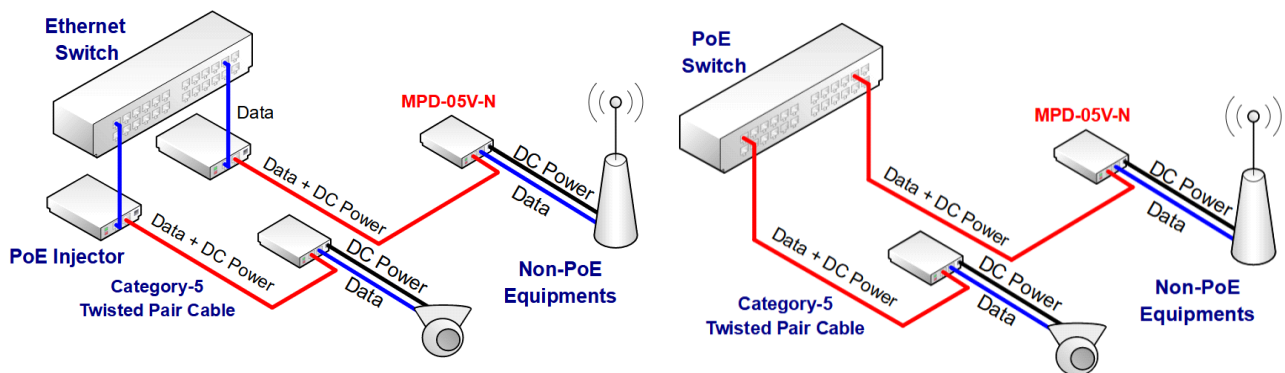
5V, 12W max. Splitter Type PD(Powered Device) for PoE(Power over Ethernet) Application.

**FEATURES**

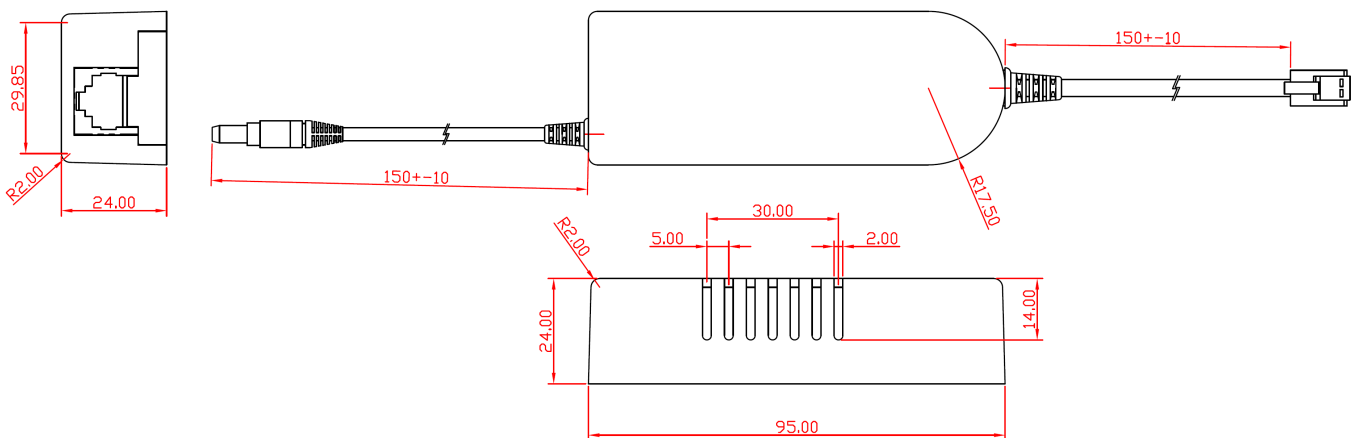
- Fully Supports IEEE802.3af Compliant
- Input Voltage Range : 38VDC to 57VDC
- In-rush Current Limit, Over-Current and Short Circuit Protection
- Over-temperature Protection
- Default Class : 0
- High Efficiency (80% min. @ Full Load)
- Low Output Ripple and Noise
- 1500Vrms Isolation (Input-Output)
- Integrated Rectification for Superior High Voltage Protection at Input Side
- Ensuring Product Long Life by Using "No" Aluminum Electrolytic Capacitor
- RoHS Compliant



**APPLICATION DIAGRAM**



**OUTLINE DRAWING**



## CONNECTOR DESCRIPTION

Type	Name	Connector Type	Description
Input	PoE	RJ-45 Jack	Connector for PoE Switch or PoE Injector - Direct or Cross UTP Cable is Available - Unshielded & LED (Indicated Power Active)
Output	Data	RJ-45 Plug	Connector for Data of a Ethernet Equipment
	Power	DC Plug	Connector for Power of a Ethernet Equipment - ID : 2.1mm (5VDC) - OD : 5.5mm (GND)

## SPECIFICATIONS

No	Item	Specification
1	Input Voltage	38~57VDC
2	Input Under Voltage Lockout (Rising)	33.9~36.1VDC
3	Input Under Voltage Lockout (Hysteresis)	4.7VDC typ.
4	Nominal Output Voltage	5VDC (±5%)
5	Continuous Output Current	2.0A max.
6	Peak Output Current	2.4A max.
7	Line Regulation (Vin=38~57VDC, Pout=12W)	±1%
8	Load Regulation (Vin=48VDC, Pout=0~12W)	±5%
9	Ripple & Noise (Vin=48VDC, Pout=12W)	50mVp-p max.
10	Efficiency (Vin=48VDC, Pout=12W)	80% min.
11	Input to Output Isolation	1500 Vrms (10mA Cut-off, 60Hz)
12	Short Circuit Protection Duration	Inf.
13	Data Rate	10/100 Mbps
14	Operating Temperature	-20 ~ 50 °C
15	Storage Temperature	-40 ~ 80 °C
16	Typical Dimension (W×D×H)	35×24×95 (mm)