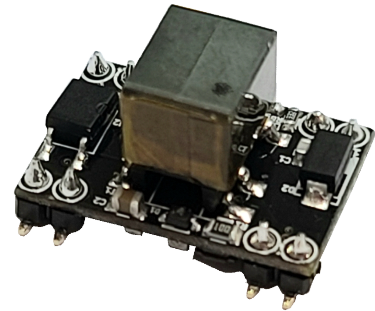


DESCRIPTION

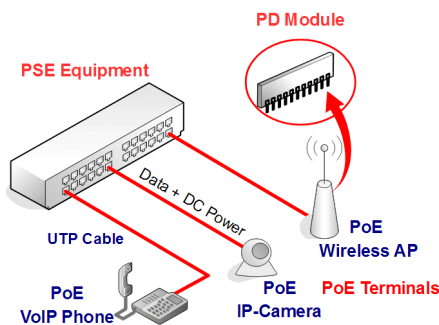
5V, 9W max. Small Size PD(Powered Device) Integrated Module (Isolation Type)

FEATURES

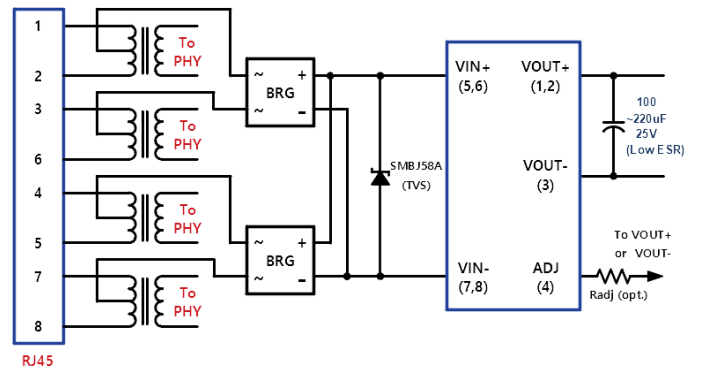
- Fully Supports IEEE802.3af Compliant
- Input Voltage Range 38V to 57V
- Short Circuit, Over-temperature Protection and In-rush Current Limit
- Default Class : 0
- High Efficiency (83% min. @ Full Load)
- Easy Installation and Low Cost
- Low Output Ripple and Noise
- 1500Vrms Isolation (Input-Output)
- RoHS Compliant



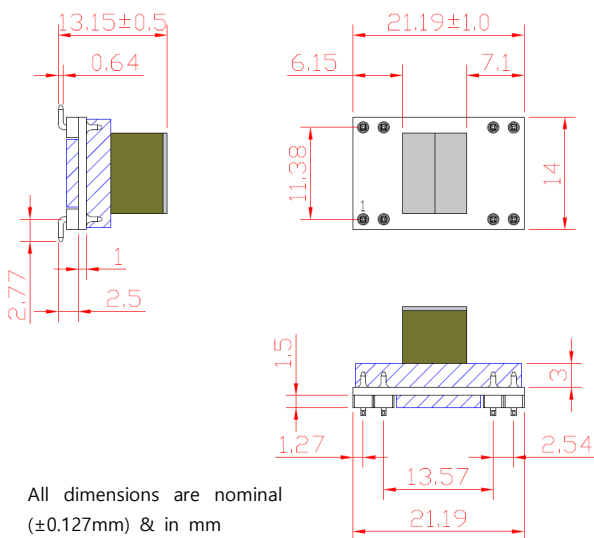
APPLICATION DIAGRAM



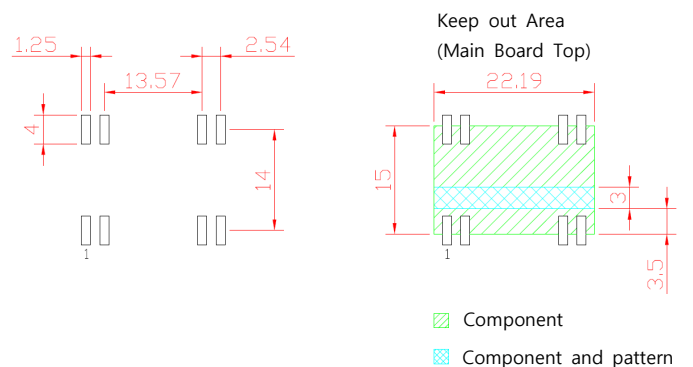
TYPICAL CONNECTION



OUTLINE DRAWING



LAYOUT RECOMMENDATION



PIN ASSIGNMENT

| Pin # | Name | Description |
|-------|-------|--|
| 1,2 | VOUT+ | DC Output : This pin provides the +5VDC output. |
| 3 | VOUT- | DC GND : This pin provides the GND output. |
| 4 | ADJ | Output Voltage Adjust : The output voltage can be adjusted from nominal value by connecting an external resistor from this pin to VOUT+ or VOUT-. |
| 5,6 | VIN+ | Input (+) : This input pin connects to the positive(+) output of the Bridge Diodes. |
| 7,8 | VIN- | Input (-) : This input pin connects to the negative(-) output of the Bridge Diodes. |

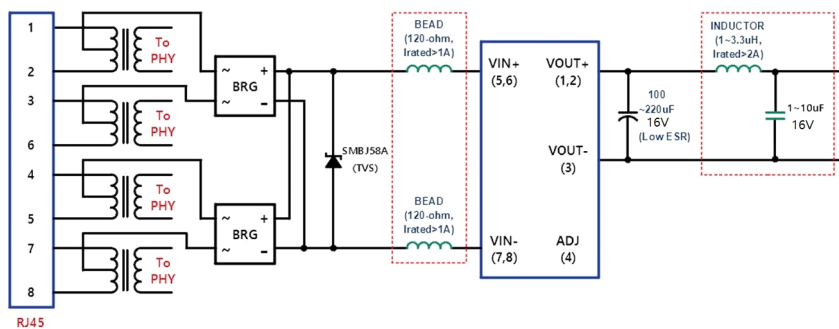
ADJUSTING THE OUTPUT VOLTAGE LEVELS AND REQUIRED EXTERNAL RESISTORS

| Vout | Radj | |
|-------|----------|----------|
| | To VOUT+ | To VOUT- |
| 5.65V | - | 0 Ohm |
| 4.85V | 0 Ohm | - |

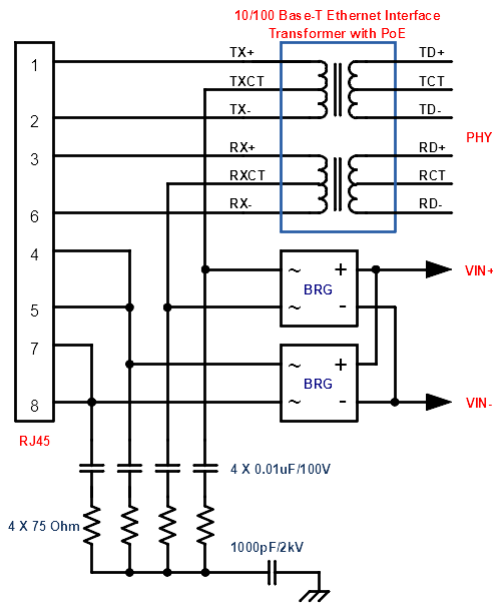
SPECIFICATIONS

| No | Item | Specification |
|----|-------------------------------------|-------------------------|
| 1 | Input Voltage | 38~57 VDC |
| 2 | Output Voltage | 5V typ. |
| 3 | Output Current | 1.8A max. |
| 4 | Line Regulation (Vin=38~57V, 9W) | 0.5% |
| 5 | Load Regulation (Vin=48V, 0.1~9W) | 0.5% |
| 6 | Ripple & Noise (Vin=48V, Iout=1.8A) | 150mVp-p max. |
| 7 | Efficiency (Vin=48V, Iout=1.8A) | 83% min. |
| 8 | Input to Output Isolation | 1500 Vrms |
| 9 | Type of DC/DC Converter | Flyback Type |
| 10 | Short Circuit Protection Duration | Inf. |
| 11 | Operating Environment | -20 ~ 70 °C / 10 ~ 90 % |
| 12 | Storage Environment | -40 ~ 100 °C / 5 ~ 95 % |

ADVANCED CONNECTION (LOWER EMI)



10/100 Base-T APPLICATION



10/100/1000 Base-T APPLICATION

