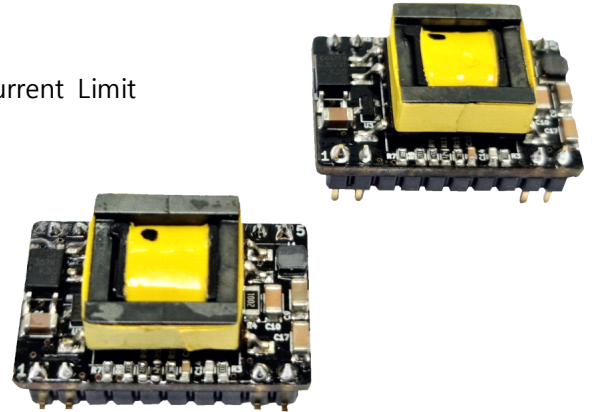


**DESCRIPTION**

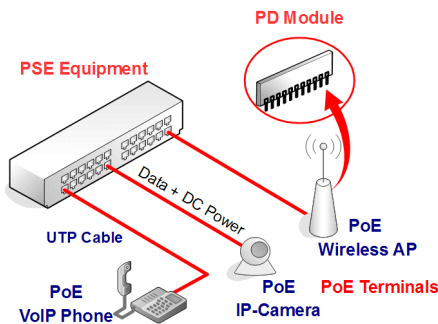
12V, 12W max. Small Size PD(Powered Device) Integrated Module (Isolation Type)

**FEATURES**

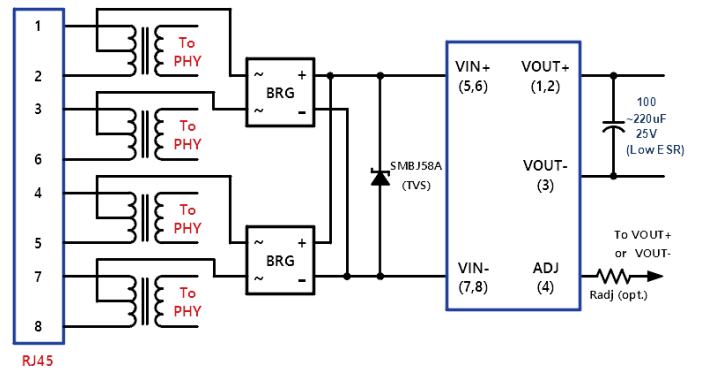
- Fully Supports IEEE802.3af Compliant
- Input Voltage Range 36V to 57V
- Short Circuit, Over-temperature Protection and In-rush Current Limit
- Default Class : 0
- High Efficiency (86% min. @ Full Load)
- Easy Installation and Low Cost
- √ **TH Type** : MPDI-MOD-12HT(T)
- √ **SMD Type** : MPDI-MOD-12HT(S)
- Low Output Ripple and Noise
- 1500Vrms Isolation (Input-Output)
- RoHS Compliant



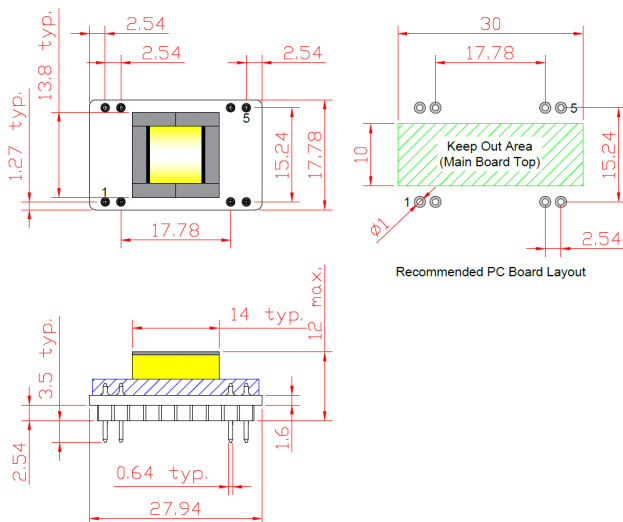
**APPLICATION DIAGRAM**



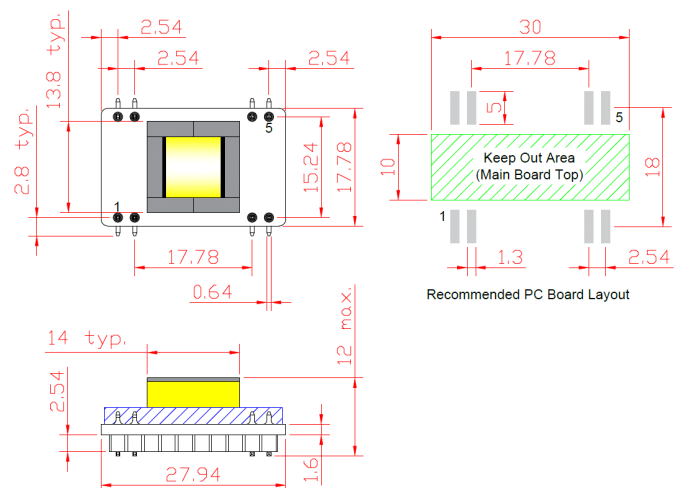
**TYPICAL CONNECTION**



**OUTLINE DRAWING (TH Type)**



**OUTLINE DRAWING (SMD Type)**



**PIN ASSIGNMENT**

Pin #	Name	Description
1,2	VOUT+	<b>DC Output</b> : This pin provides the +12VDC output.
3	VOUT-	<b>DC GND</b> : This pin provides the GND output.
4	ADJ	<b>Output Voltage Adjust</b> : The output voltage can be adjusted from nominal value by connecting an external resistor from this pin to VOUT+ or VOUT-.
5,6	VIN+	<b>Input (+)</b> : This input pin connects to the positive(+) output of the Bridge Diodes.
7,8	VIN-	<b>Input (-)</b> : This input pin connects to the negative(-) output of the Bridge Diodes.

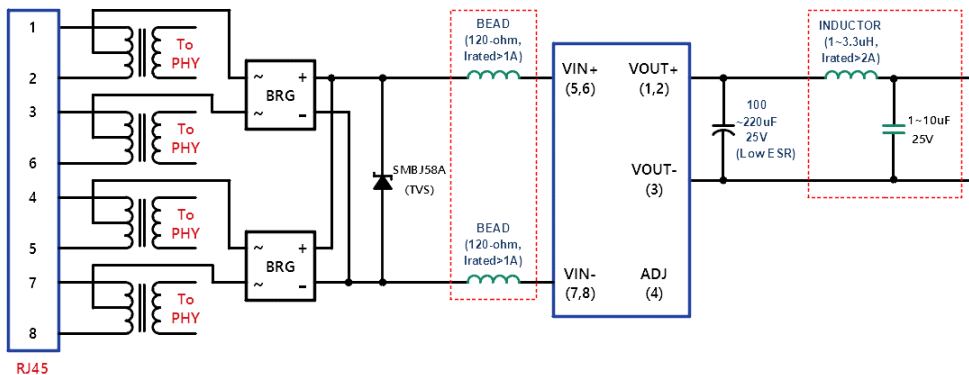
**ADJUSTING THE OUTPUT VOLTAGE LEVELS AND REQUIRED EXTERNAL RESISTORS**

Vout	Radj	
	To VOUT+	To VOUT-
12.6V	-	0 Ohm
10V	0 Ohm	-

**SPECIFICATIONS**

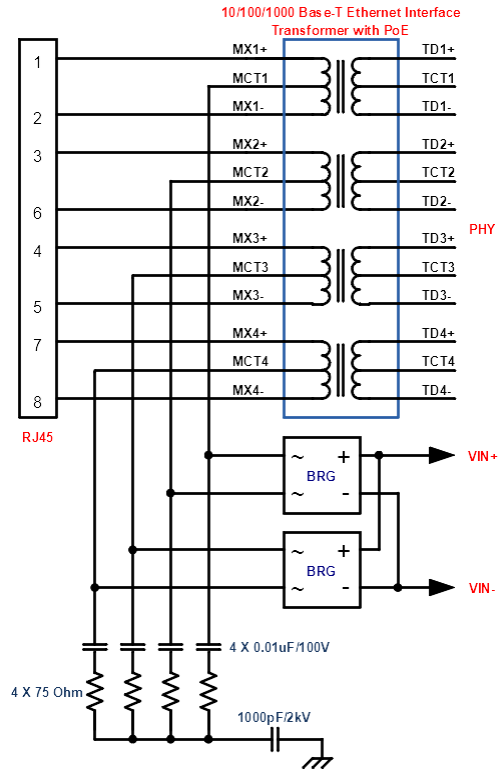
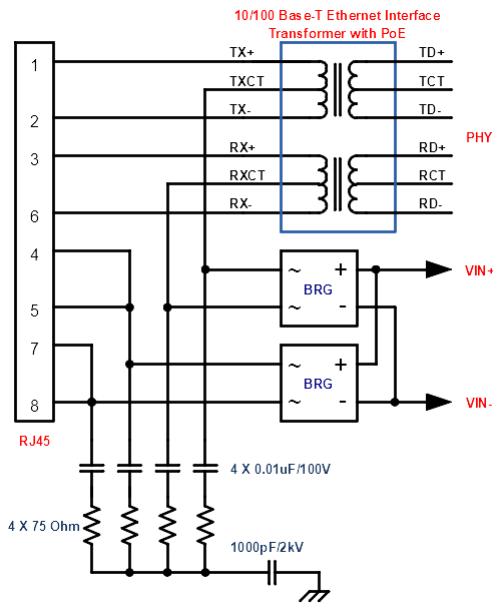
No	Item	Specification
1	Input Voltage	36~57 VDC
2	Output Voltage	12V typ.
3	Output Current	1A max.
4	Line Regulation (Vin=36~57V, 12W)	1%
5	Load Regulation (Vin=48V, 0.1~12W)	1%
6	Ripple & Noise (Vin=48V, Iout=1A)	200mVp-p max.
7	Efficiency (Vin=48V, Iout=1A)	86% min.
8	Input to Output Isolation	1500 Vrms
9	Type of DC/DC Converter	Flyback Type
10	Short Circuit Protection Duration	Inf.
11	Operating Environment	-20 ~ 70 °C / 10 ~ 80 %
12	Storage Environment	-40 ~ 100 °C / 5 ~ 95 %

**ADVANCED CONNECTION (LOWER EMI)**



10/100 Base-T APPLICATION

10/100/1000 Base-T APPLICATION



OPTIONAL EXTERNAL SCHEMATIC FOR LOCAL POWER SUPPLY (12VDC Adapter)

